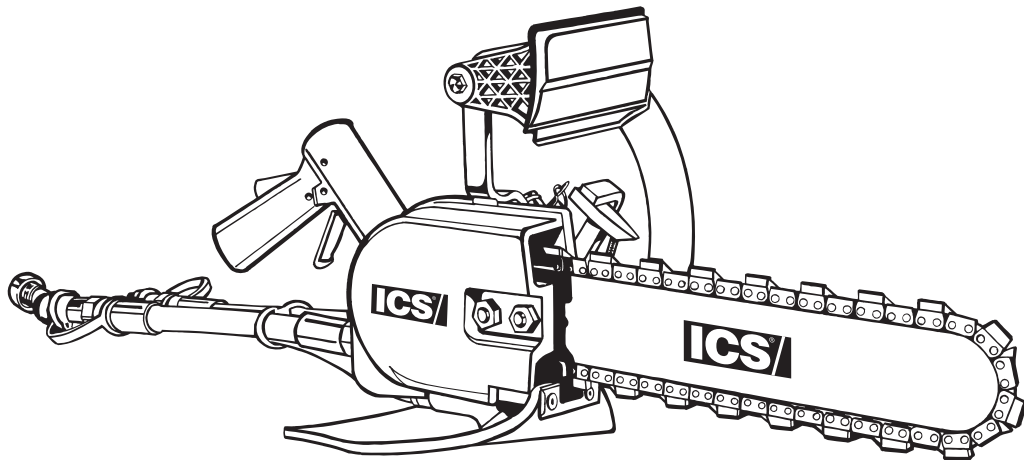




Replacement Parts & Accessories Price List



814PRO Hydraulic Concrete Saw

Effective January 1, 2013

TABLE OF CONTENTS

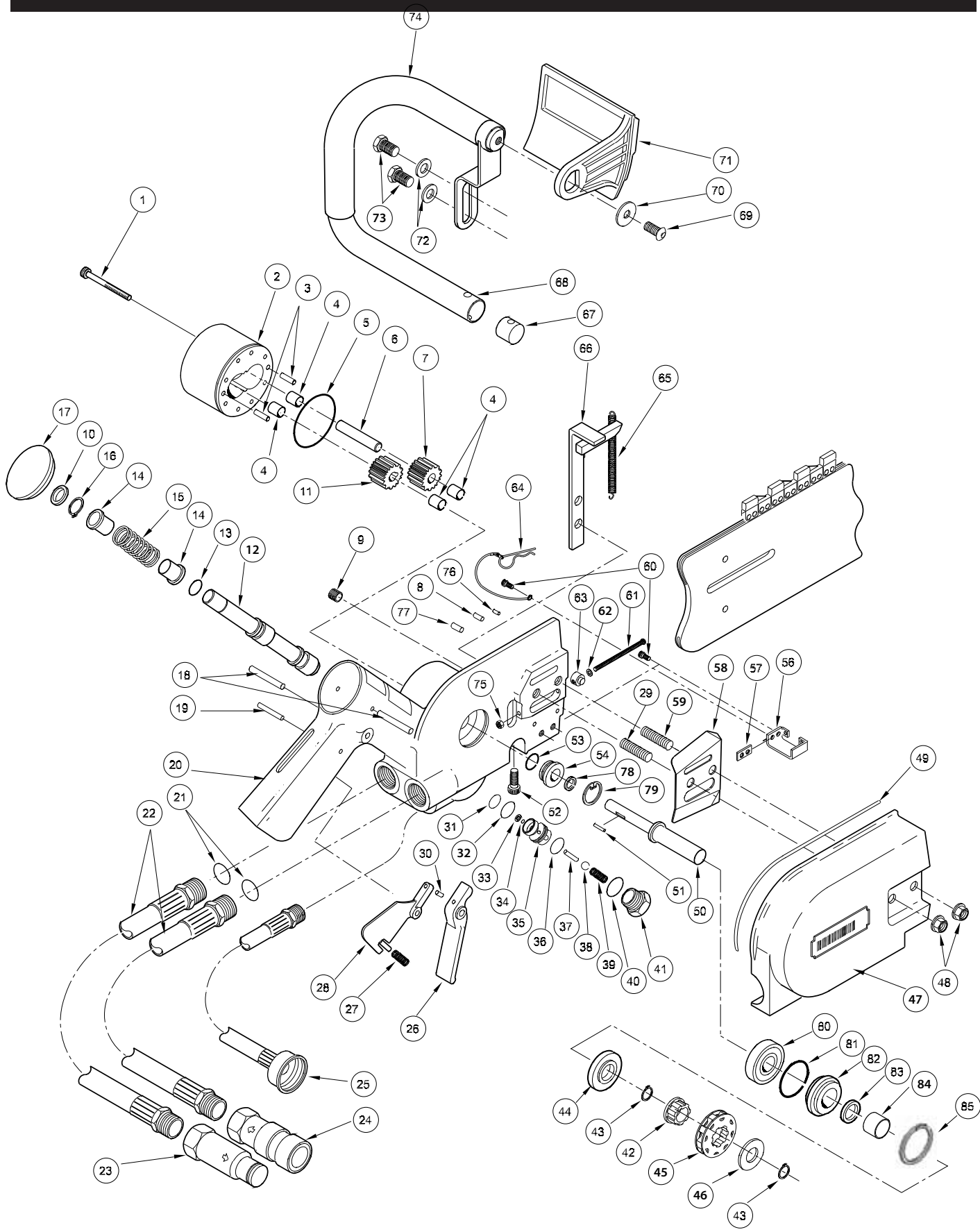
814PRO Hydraulic Concrete Saw

ITEM DESCRIPTION	KEY	PAGE
814PRO Hydraulic Saw Service Parts & Kits	n/a	iii
814PRO Hydraulic Saw Assembly (Parts 1-49)	A	1-2
814PRO Hydraulic Saw Assembly (Parts 49-98)	A	3-4

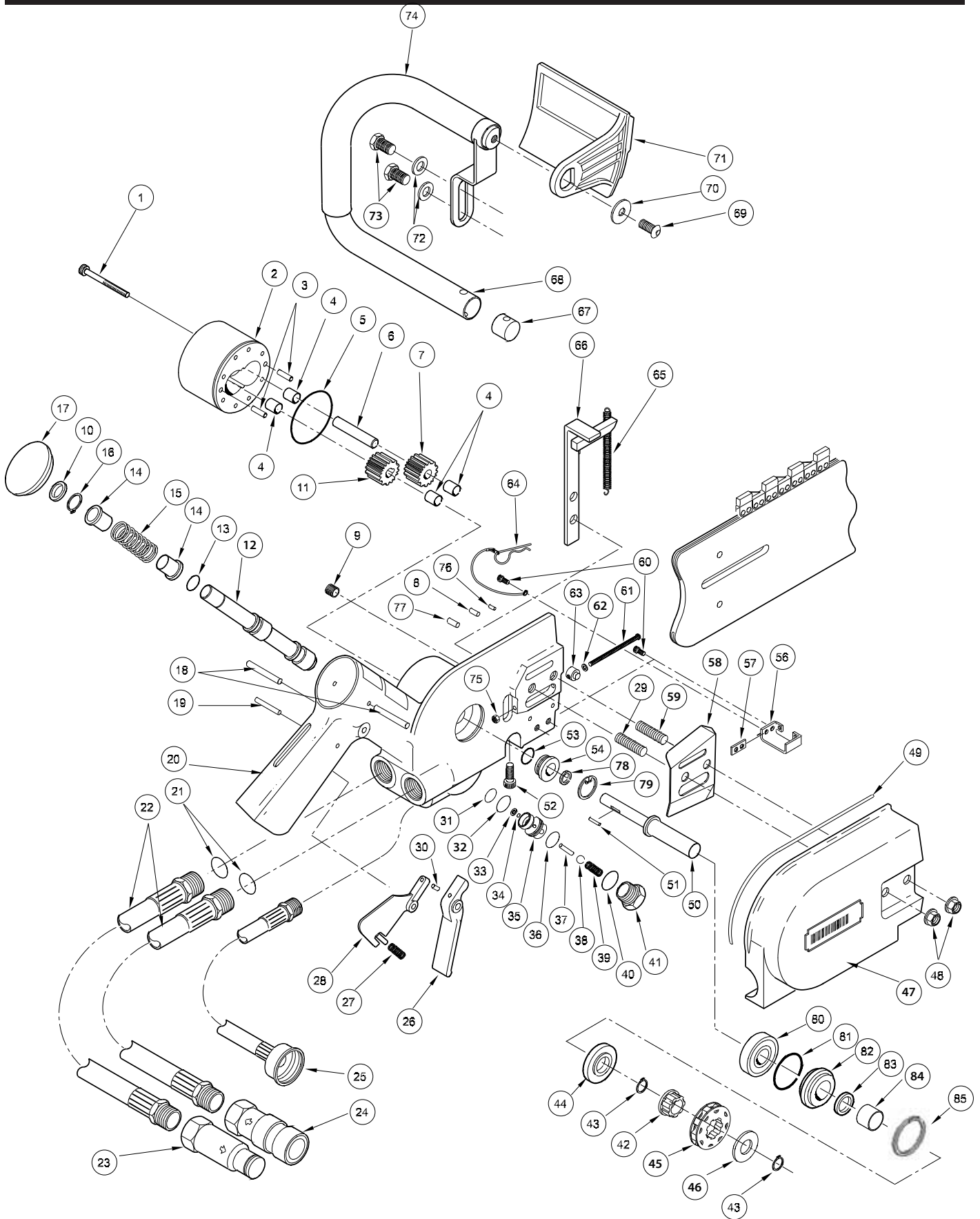
SERVICE PARTS & KITS

814PRO Hydraulic Concrete Saw

Part No.	Description	MSRP
71152	Tensioning Scrench, Hydraulic Saws	12.00 €
71944	Water Valve Seal Kit, includes: 34, 35, 37, 39, & 43	28.00 €
71945	Motor Shaft Seal Kit, includes 7, 56, 90, 91, 93, & 95	77.00 €
74061	Chain Tensioning Assembly, includes 68, 69, 70, & 85	57.00 €



Key #	Part No.	Description	MSRP
1	74514	HSH Cap Screw 10-24 x 1 1/4	4.75 €
2	74515	Rear Gear Housing Assembly	204.00 €
3	74516	Dowl Pin	4.25 €
4	74517	Bushing (4)	30.00 €
5	74518	O-Ring	4.25 €
6	74519	Idler Shaft	36.00 €
7	74520	Idler Gear	128.00 €
8	74021	WallWalker Pivot Pin	149.00 €
9	74597	1/8 NPT Plug	10.00 €
10	74596	Wiper Seal	45.00 €
11	74522	Drive Gear, with Keyway	149.00 €
12	74523	On-Off Valve	109.00 €
13	74524	Hydraulic Valve Seal	4.00 €
14	74525	Spring Washer	23.00 €
15	74526	Spring	19.00 €
16	74527	Retaining Ring, 1/2 External	6.50 €
17	74528	Plug Button	4.50 €
18	74529	Roll Pin	3.50 €
19	74530	Roll Pin	3.50 €
20	74531	Valve Handle Assembly includes 74540 & 74569	865.00 €
21	74532	O-Ring	3.75 €
22	74533	Pigtail Hose Assembly	39.00 €
23	74534	1/2 in (1.3 cm) Flush Face Coupler (M)	38.00 €
24	74535	1/2 in (1.3 cm) Flush Face Coupler (F)	72.00 €
25	74536	Water Hose Assembly	81.00 €
26	74537	Trigger	50.00 €
27	74538	Spring	3.50 €
28	74539	Safety Catch, Trigger Lock-Out	50.00 €
29	74540	Rear Stud	57.00 €
30	74542	Roll Pin	3.50 €
31	74543	O-Ring	4.75 €
32	74544	O-Ring	4.75 €
33	74545	Self Locking Retaining Ring	5.25 €
34	74546	O-Ring	4.25 €
35	74547	Water Valve Sleeve	121.00 €
36	74548	O-Ring	5.00 €
37	74549	Pin	43.00 €
38	74550	Steel Ball	5.25 €
39	74551	Spring	6.50 €
40	74552	O-Ring	3.50 €
41	74553	Seal Cap	60.00 €
42	71386	Splined Sprocket Adaptor	60.00 €
43	71384	External Shaft Retaining Ring	6.50 €
44	74497	Seal Spacer	34.00 €
45	71385	Rim Sprocket	28.00 €
46	71388	Tabbed Washer	11.75 €



Key #	Part No.	Description	MSRP
47	71940	Side Cover Replacement Kit	267.00 €
48	74558	Flange Nut, M10	3.50 €
49	74559	Sprocket Side Cover Seal	15.00 €
50	71383	814PRO Motor Shaft Replacement	141.00 €
51	74561	Needle Roller	10.00 €
52	74562	HSH Cap Screw 5/16-18 x 3/4	3.50 €
53	74563	Shaft Seal	3.50 €
54	74564	Seal Back Up Washer	35.00 €
55	74591	Guard Flap Assembly (not shown)	35.00 €
56	74566	Guard Flap Mount	81.00 €
57	74567	Spacer	50.00 €
58	74568	Bar Mount Cover Plate	43.00 €
59	74569	Front Stud	58.00 €
60	74570	HSH Cap Screw 1/4-20 x 5/8	4.25 €
61	74571	Machine Screw	4.25 €
62	74572	Stat-O-Seal	5.25 €
63	74573	Bar Adjustment Nut	37.00 €
64	74019	Lanyard Assembly	24.00 €
65	74582	WallWalker Spring	12.00 €
66	74583	WallWalker Arm, with Spring	84.00 €
67	74574	Handle Bar Retainer	19.00 €
68	74575	Handle Bar	182.00 €
69	74584	Guard Mounting Bolt	10.00 €
70	74585	Guard Mounting Washer	10.00 €
71	74586	Front Handguard	24.00 €
72	74576	Washer	3.75 €
73	74577	HH Cap Screw 5/16-18 x 5/8, Zinc	3.75 €
74	74588	Handlebar Grip	15.00 €
75	74579	Nut 1/4-20 HHD LT SST	3.75 €
76	74580	Spiral Pin	6.75 €
77	74581	Spiral Pin	6.75 €
78	74493	Quad-Ring	2.75 €
79	74565	Retaining Ring	3.75 €
80	74554	Shaft Bearing Race	116.00 €
81	74498	O-Ring	2.75 €
82	74495	Seal Washer	33.00 €
83	74494	V-Ring	19.00 €
84	74496	Seal Ring	24.00 €
85	74555	Retaining Ring	6.50 €

814PRO Replacement Parts & Accessories Price List

**ICS, Blount Europe, SA
Rue Emile Francqui, 5
1435 Mont-Saint-Guibert, Belgium
Tel +32 10 301 251 Fax +32 10 301 259
europe.marketing@icsbestway.com
icsbestway.com**