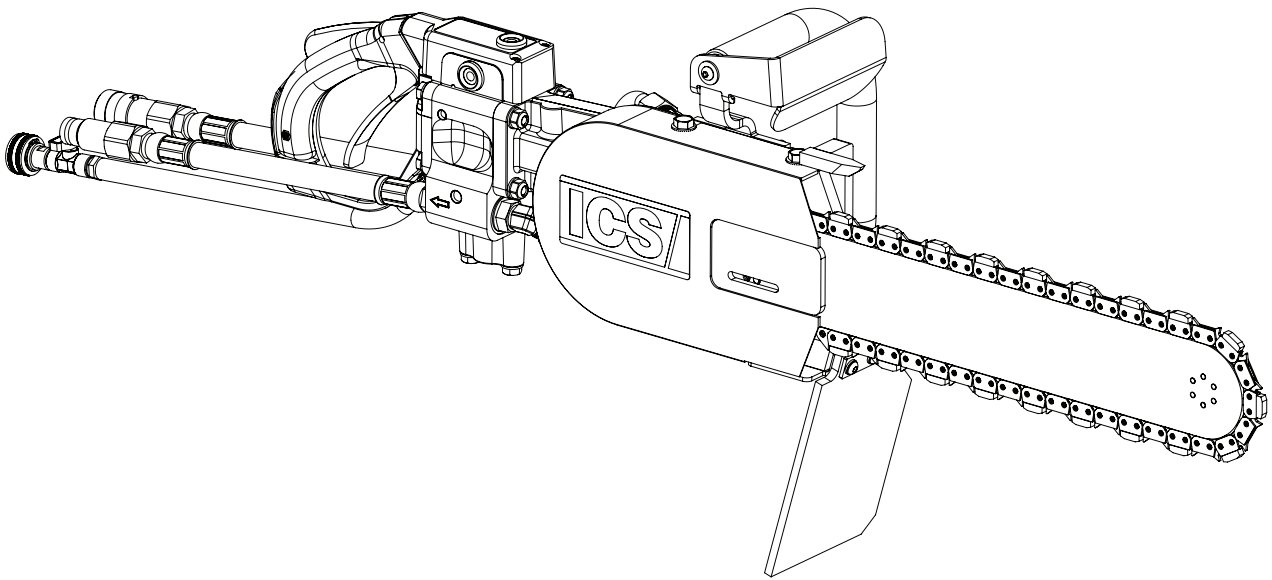




Diamond Tools and Equipment  
for Construction and Infrastructure

# Replacement Parts & Accessories Price List



## 890 FLUSH Series Hydraulic Concrete Saw

Effective January 1, 2014

# TABLE OF CONTENTS

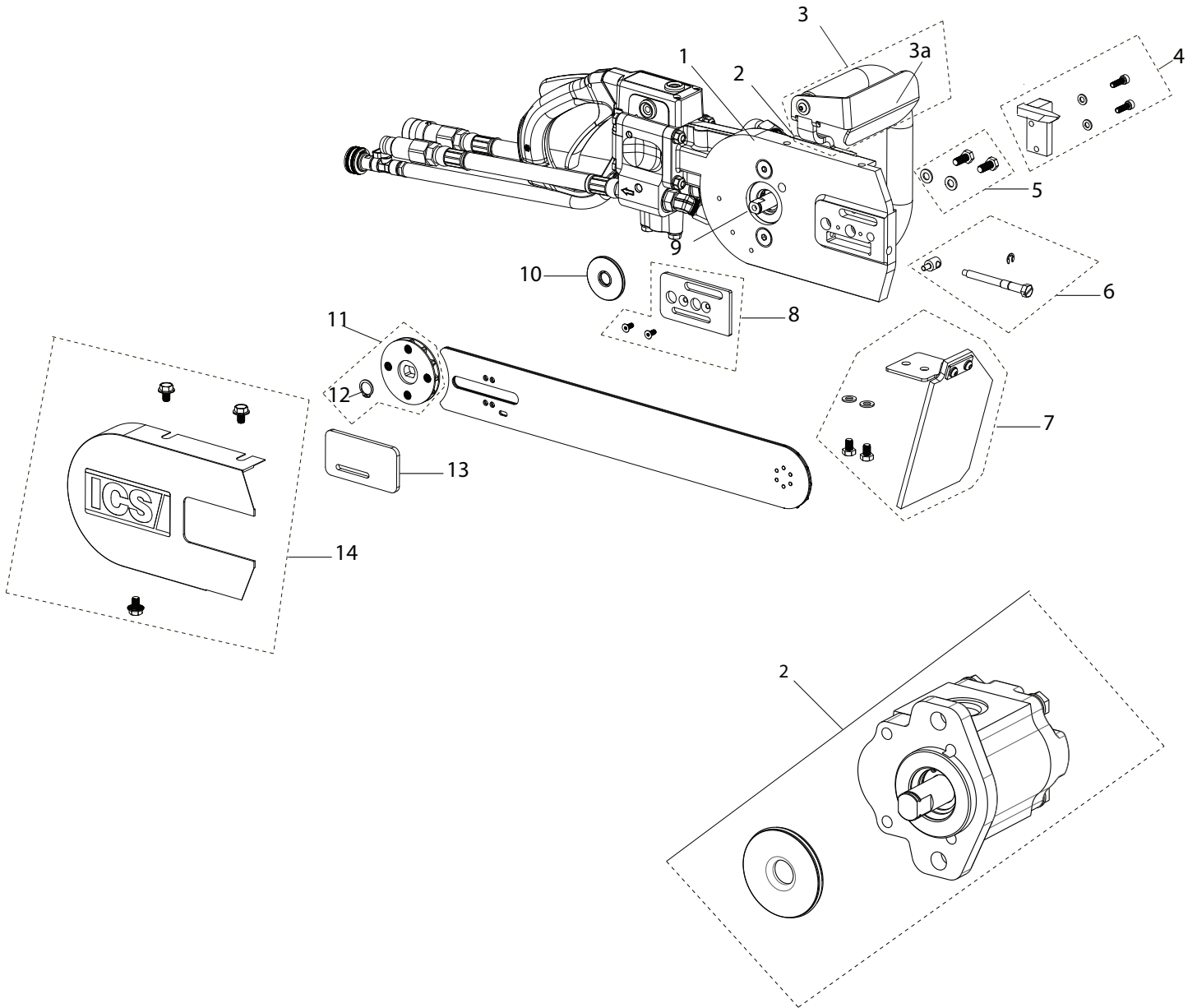
## 890 FLUSH Series Hydraulic Concrete Saw

ITEM DESCRIPTION	KEY	PAGE
890 FLUSH Series Hydraulic Saw Service Parts & Kits	n/a	2
890 FLUSH Series Hydraulic Saw Assembly	B	3-4

# SERVICE PARTS & KITS

## 890 FLUSH Series Hydraulic Concrete Saw

Part No.	Description	MSRP
70619	890 FLUSH Series Tensioning Screws, Hydraulic Saws	11.75 €
71526	890 FLUSH Series Hydraulic Valve Spool Kit	70.00 €
72296	890 FLUSH Series Hydraulic Valve Seal Kit	23.00 €
72347	890 FLUSH Series Hydraulic Trigger Lock-Out Spring & Pin Kit	18.00 €
506026	890 FLUSH Series Hydraulic Trigger & Lock-Out Kit	33.00 €
507407	890 FLUSH Series Hydraulic Front Handle Fastener Kit	27.00 €
518869	890 FLUSH Series Hydraulic Water Valve Kit, includes clip, plunger, spring, ball & water bridge spindle	86.00 €
528594	890 FLUSH Series Motor Seal Kit	107.00 €
72342	890 FLUSH Series Hydraulic Motor Bolt Kit	17.00 €
540290	890 FLUSH Series Hydraulic End Cap Set	13.00 €
565317	890 FLUSH Series Valve Cover with levels	90.00 €
72344	890 FLUSH Series Valve Bolt Kit	19.00 €
530046	890 FLUSH Series FORCE4™ Bar Nose Sprocket Repair Kit	28.00 €
566059	890 FLUSH Series Water Shut-off Valve Kit	45.00 €
564984	890 FLUSH Series Motor Conversion Kit with sprocket 8 gpm	625.00 €
564985	890 FLUSH Series Motor Conversion Kit with sprocket 12 gpm	625.00 €



890 FLUSH Series • SAW ASSEMBLY • PARTS

Key #	Part No.	Description	MSRP
1	532512	890 FLUSH Series Mainframe Replacement Kit	276.00 €
2	564962	890 FLUSH Series Replacement Motor Kit 30 lpm	495.00 €
2	564983	890 FLUSH Series Replacement Motor Kit 45 lpm	495.00 €
3	523947	890 FLUSH Series Front Handle Kit (includes 3a) 30 lpm	165.00 €
3a	74586	890 FLUSH Series Front Handguard Kit 30 lpm	24.00 €
3	567102	890 FLUSH Series Front Handle Kit (includes 3a) 45 lpm	165.00 €
3a	517874	890 FLUSH Series Front Handguard Kit 45 lpm	24.00 €
4	524673	890 FLUSH Series WallWalker Spike Kit	189.00 €
5	524658	890 FLUSH Series Bar Clamp Bolt Kit	12.00 €
6	523946	890 FLUSH Series Tensioner Kit	45.00 €
7	524652	890 FLUSH Series Guard Flap Assembly Kit	50.00 €
8	523945	890 FLUSH Series Spacer Plate Kit	248.00 €
9	564923	890 FLUSH Series Shaft Conversion Kit w/Motor Seals 30 lpm,	225.00 €
9	564924	890 FLUSH Series Shaft Conversion Kit w/ Motor Seals 45 lpm,	225.00 €
10	528563	890 FLUSH External Shaft Seal	49.00 €
11	565066	890 FLUSH Series Drive Sprocket Kit (includes Snap ring) 30 lpm/45 lpm	195.00 €
12	549796	890 FLUSH Series Snap ring	1.15 €
13	524657	890 FLUSH Series Bar Clamp Plate Kit	42.00 €
14	532515	890 FLUSH Series Side Cover Kit	270.00 €
		* All other replacement parts are the same as 890 Series	
		**Replacement parts for Trigger are listed on page 2	

**890 FLUSH Series Replacement Parts & Accessories Price List**

**ICS, Blount Europe, SA  
Rue Emile Francqui, 5  
1435 Mont-Saint-Guibert, Belgium  
Tel +32 10 301 251 Fax +32 10 301 259  
europe.marketing@icsbestway.com  
icsbestway.com**